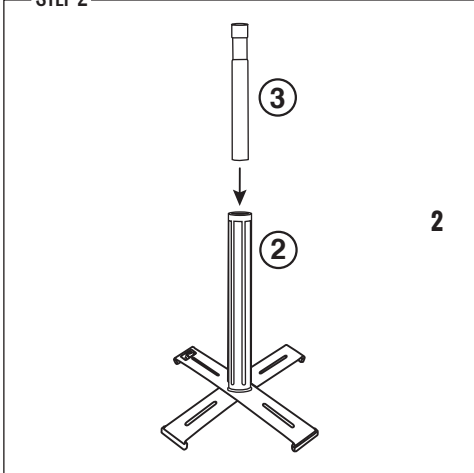


ASSEMBLY INSTRUCTIONS

STEP 2



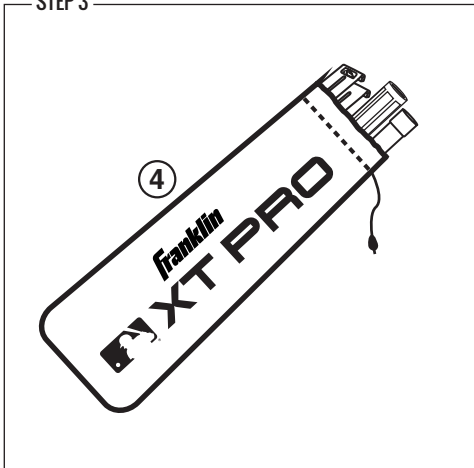
PARTS

1		x1
2		x1
3		x1

NOTE

Insert the **Upper Tube** (#3) through the opening of the **Lower Tube** (#2) and adjust to the preferred height.

STEP 3



PARTS

1		x1
2		x1
3		x1
4		x1

NOTE

For easy portability, take apart each piece of your XT Pro Batting Tee and insert into the Franklin XT Pro Travel Bag (#4).

YOU ARE NOW READY TO PLAY!

Made In China
Franklin Sports Inc.
Stoughton, MA 02072



Major League Baseball trademarks and copyrights are used with permission of Major League Baseball. Visit MLB.com.

Franklin



XT-PRO BATting TEE

ITEM NUMBER: **24845**



NOTE: PRINT FRONT TO BACK



CUSTOMER SERVICE COMMITMENT

Thank you for purchasing this Franklin product! In the event that the product you've purchased has missing or damaged parts, please contact us at:

parts@franklinsports.com

or

Visit our website at: franklinsports.com/instructions

If possible, please include product part number and parts description so we can best assist you.

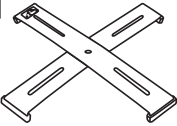
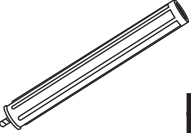
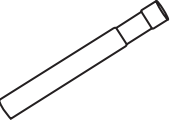

WE'RE HERE FOR YOU!

PLEASE DO NOT RETURN THIS PRODUCT TO THE STORE IT WAS PURCHASED FROM.

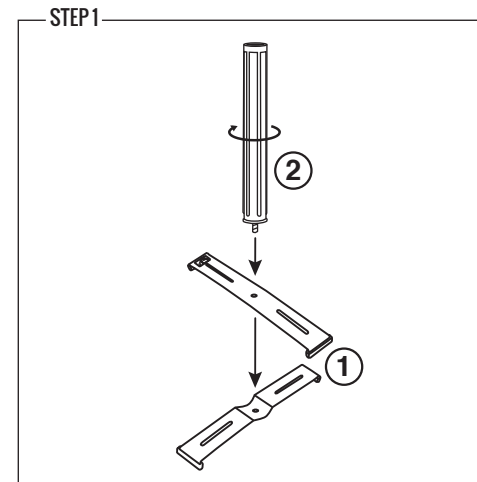
WE ARE COMMITTED TO FULFILLING ALL REPLACEMENT PART NEEDS IMMEDIATELY.

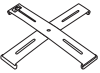
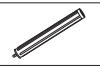
Thank you for your continued support, and welcome to the #FranklinFamily!

PARTS LIST

 <p>1</p>	 <p>2</p>	 <p>3</p>
<p>X Base Rep. Part: #24845-R1</p>	<p>Lower Tube Rep. Part: #24852-R2</p>	<p>Upper Tube Rep. Part: #24852-R3</p>
 <p>4</p> <p>Travel Bag Rep. Part: #24845-R4</p>		

ASSEMBLY INSTRUCTIONS



PARTS	
 <p>1</p>	x1
 <p>2</p>	x1

NOTE

Lay the flat piece of the X-Base (#1) over the grooved piece (#1) per image. Then screw in the Lower Tube (#2) through both pieces of the X-Base (#1) to secure into place.